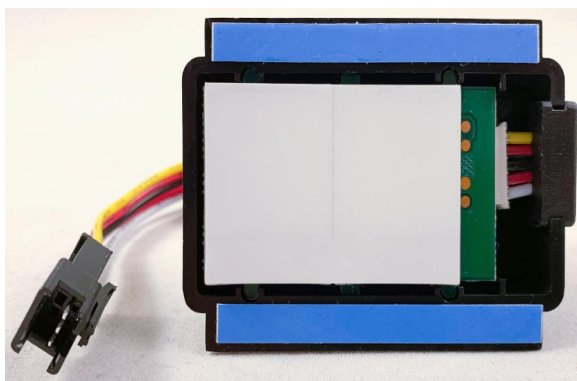


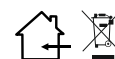
XM319 Series

Touch Switches



■ Application:

- Light power-on
- CCT and dimming (depends of model version)
- sensing range 6mm (penetrating glass 4mm)
- defogger power-on



MODEL ENCODING

| XM319 | - X – number of buttons | - D or none | - CCT or none | - M or none |
|--------|-------------------------|-------------------|-----------------------|---|
| Series | 1 Single-flush button | Dimming available | CCT control available | Including memory (memory of the last state) |
| | 2 Double-flush button | | | |
| | 3 Triple-flush button | | | |

ELECTRICAL SPECIFICATION

| | |
|--|--------------------------|
| SERIES | XM319 |
| Input Voltage | 12V / 24V |
| Max. Current | 5A |
| Load Power | ≤ 60W |
| Principle of induction | Capacitive touch sensing |
| Sensing Distance / mirror thickness | 6mm / 4mm |

WORKING ENVIRONMENT

| | |
|---|---|
| Working Temperature | -25°C ÷ 60°C |
| Working Humidity | 10 ÷ 90% RH non-condensing |
| Storage Temperature and Humidity | -20°C ÷ 85°C, 5 ÷ 90% RH non-condensing |
| Degree of IP protection | IP54 |

EAN CODE

| | | | | |
|--|--|--|---|--|
| XM319-1 | XM319-1-D | XM319-1-D-M | XM319-1-D-CCT | XM319-1-D-CCT-M |
|  5 902135 128138 |  5 902135 149652 |  5 902135 138779 |  5 902135 149669 |  5 902135 128145 |
| XM319-2 | XM319-2-D | XM319-2-D-CCT | XM319-3-D | |
|  5 902135 149645 |  5 902135 149706 |  5 902135 137352 |  5 902135 149713 | |

XM319 Series

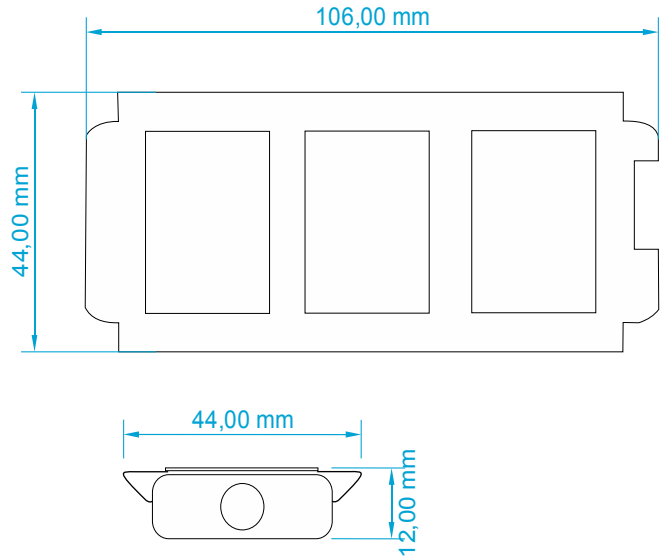
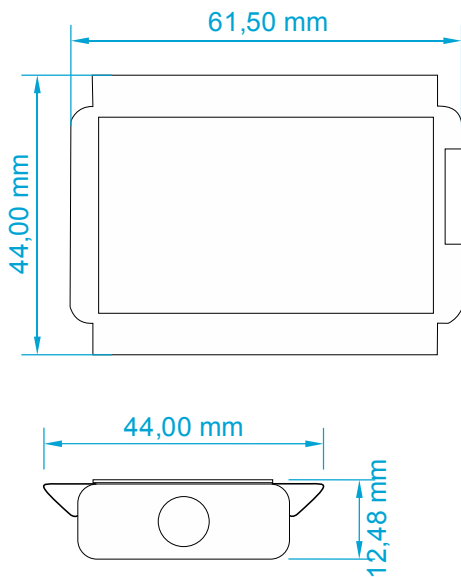
Touch Switches



MECHANICAL SPECIFICATION

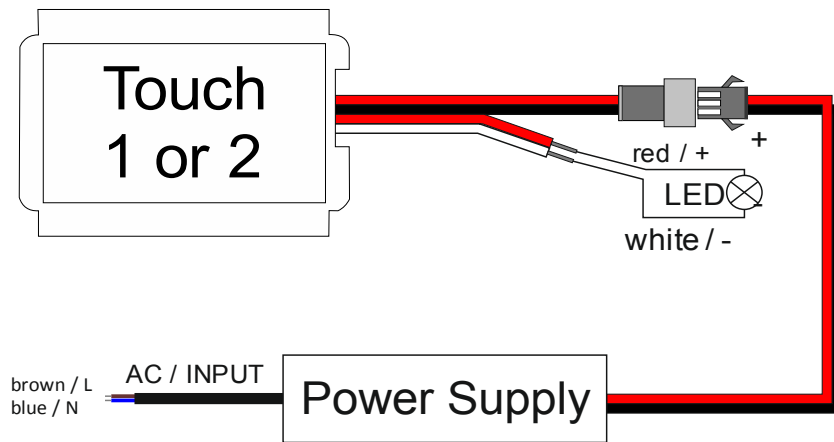
XM319-1, XM319-1-D, XM319-1-D-M, XM319-1-D-CCT,
XM319-1-D-CCT-M, XM319-2, XM319-2-D, XM319-2-D-CCT

XM319-3-D

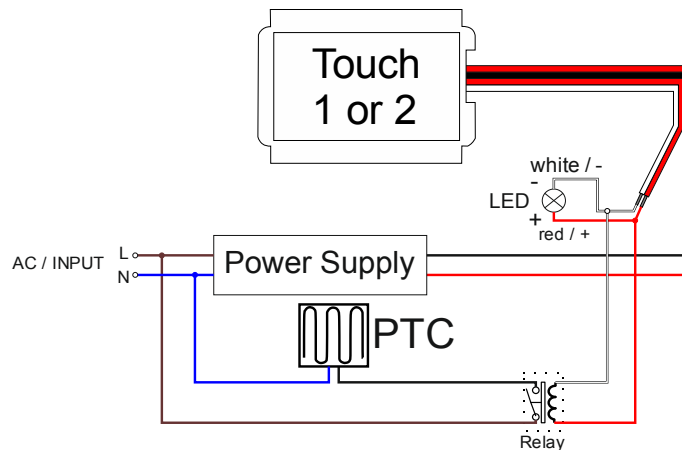


WIRING DIAGRAM

XM319-1, XM319-2



XM319-1, XM319-2 (with relay and PTC)

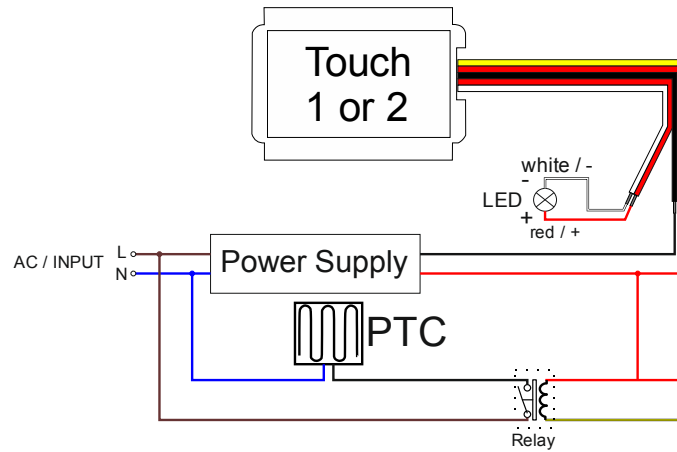


XM319 Series

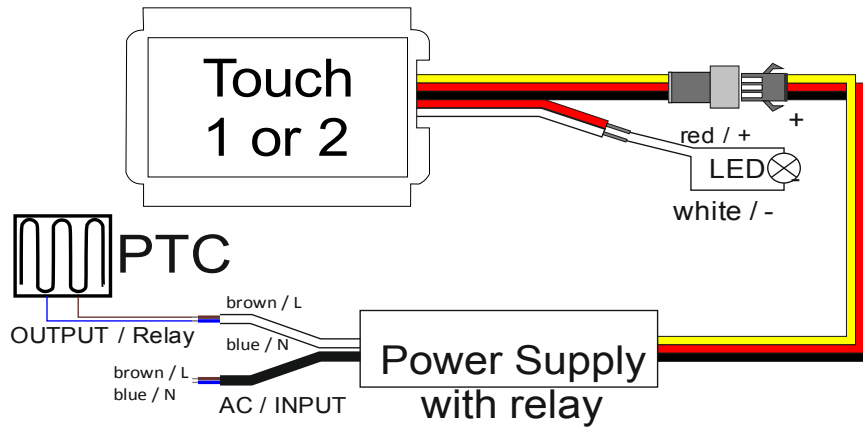
Touch Switches



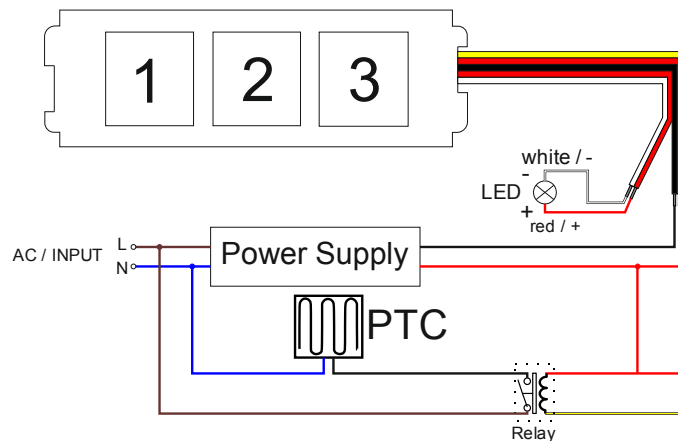
XM319-1-D, XM319-1-D-M, XM319-1-D-CCT, XM319-1-D-CCT-M, XM319-2-D, XM319-2-D-CCT (with relay and PTC)



XM319-1-D, XM319-1-D-M, XM319-1-D-CCT, XM319-1-D-CCT-M, XM319-2-D, XM319-2-D-CCT (with relay)



XM319-3-D (with relay and PTC)



XM319 Series

Touch Switches



XM319-3-D (with relay)

