

XMP-12V036W series

36W Constant voltage Switching power supply with relay 1A/230Vac



■ Features:

- Constant Voltage Design
- Universal Input AC range 100 ÷ 240VAC
 - Isolation class II design
 - Cooling by free air convection
- Built-in Relay 1A/230VAC to control mirror heating mat (defogger)
- Protections: Overload / Short circuit / Over Temperature

SELV RoHS

ELECTRICAL SPECIFICATION

MODEL	XMP-12V036W
OUTPUT	
RATED VOLTAGE	12V
RATED CURRENT	3A
CURRENT RANGE	0 ÷ 3A
RATED POWER	36W
LINE REGULATION	± 0.5%
LOAD REGULATION	± 2%
TOLERANCE	± 2%
RIPPLE & NOISE (MAX.)	250mV _{p-p}
SETUP, RISE TIME	500ms, 100ms / 230VAC ; 1000ms, 100ms / 115VAC
RELAY (MAX.)	1A / 240VAC
INPUT	
VOLTAGE RANGE	100 ÷ 240VAC
FREQUENCY RANGE	47 ÷ 63Hz
EFFICIENCY (TYP.)	88%
AC CURRENT (TYP.)	0.7A / 115VAC, 0.36A / 230VAC
INRUSH CURRENT (TYP.)	40A / 230VAC
LEAKAGE CURRENT (TYP.)	< 0.5mA / 240VAC
NO LOAD POWER CONSUMPTION (MAX.)	< 0.5W
PROTECTIONS	
OVERLOAD	Range: 110-130% Type: hiccup mode. Recovers automatically after fault condition is removed.
SHORT CIRCUIT	Type: hiccup mode. Recovers automatically after fault condition is removed.
OVER TEMPERATURE	Type: shut down output voltage. Re-power on to recovery.

XMP-12V036W series

36W Constant voltage Switchingpower supply with relay 1A/230Vac

WORKING ENVIRONMENT

WORKING TEMPERATURE	-40°C ÷ 40°C; Tc= 90°C (max.)
WORKING HUMIDITY	20 ÷ 95% RH non-condensing
STORAGE TEMPERATURE AND HUMIDITY	-40°C ÷ 90°C, 10 ÷ 95% RH non-condensing

SAFETY and EMC REGULATIONS

SAFETY STANDARDS	Compliance to EN 61347-1, EN 61347-2-13
WITHSTAND VOLTAGE	IN/OUT: 3.6kVAC
ISOLATION RESISTANCE	IN/OUT: 50MΩ/500VDC/25°C/70%
EMC EMISSION	Compliance to EN55015
EMC IMMUNITY	Compliance to EN61547
HARMONIC CURRENT	Compliance to EN61000-3-3; EN61000-3-2

OTHERS

PRIMARY CABLE	H03VVH2-F 2x0,75mm ² , lenght = 90 ± 10 mm
SECONDARY CABLE	3*22AWG , 80°C, lenght = 90 ± 10 mm
DIMENSIONS	178 x 53.5 x 16.5mm (L x W x H)
NETTO WEIGHT	0.136kg

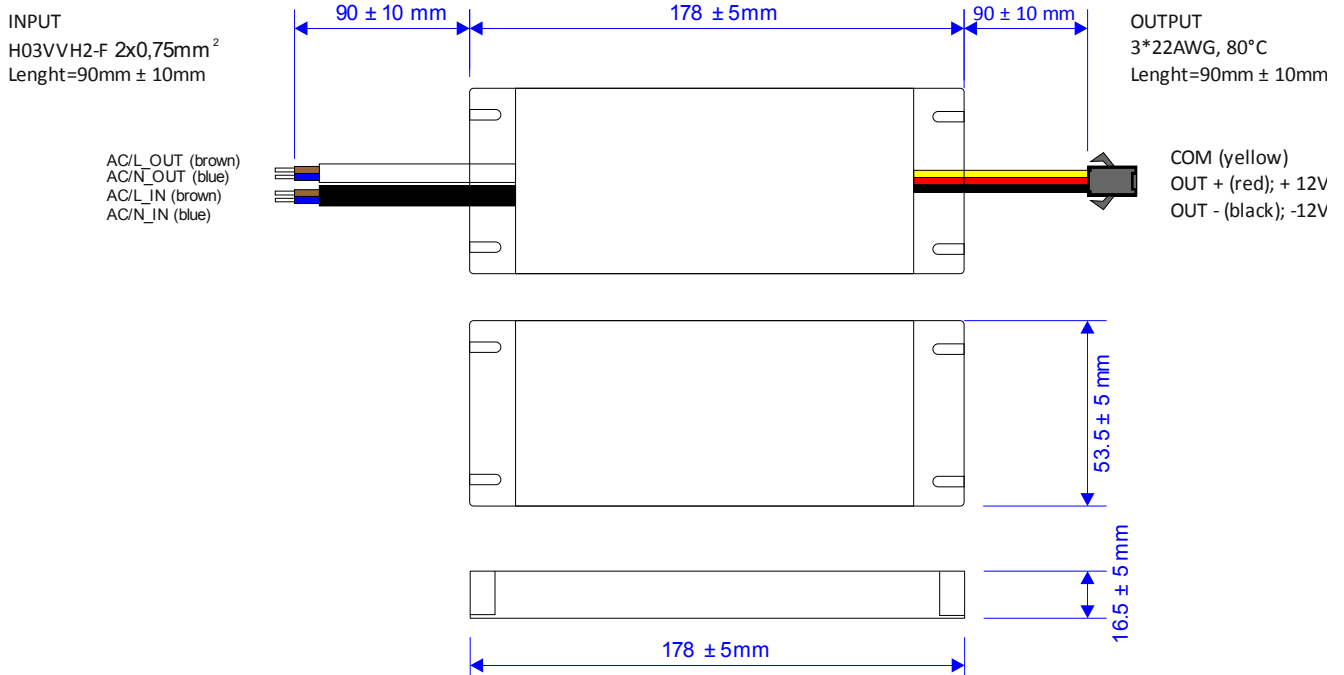
EAN Code



1. All parameters NOT specially mentioned are measured at 230VAC input and 25°C of ambient temperature.

2. Power supply is considered as component not indented to apply by end-user. Power supply meets safety and EMC standards however the final equipment with power supply must be re-quality to comply with EMC Directives

MECHANICAL SPECIFICATION



XMP-12V036W series

36W Constant voltage Switchingpower supply with relay 1A/230Vac

SAMPLE WIRING DIAGRAM

